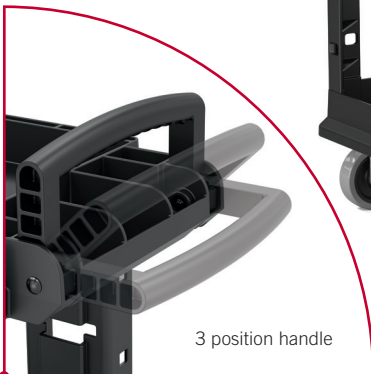


HEAVY DUTY UTILITY CART



PUCSD1937 model shown



KEY FEATURES UTILITY SIDE RAIL

- Rail on outer edge of top platform provides more storage solutions
- Bins fit securely in rail for more versatile storage options



DURABLE WHEELS

- Durable TPR-coated wheels for a smooth, non-marring quiet ride
- Polyolefin core
- Stronger than our leading competitor



CORD HOOK

- Keep cords and ropes organized for quick access



SIZE: 19.5" W x 41.78" L x 34.81" H
WEIGHT: 46.87 lbs

| MODEL# | CASTER | MAXIMUM CAPACITY |
|-----------|------------|------------------|
| PUCSD1937 | TPR 5" RIM | 500 lbs* |



SIZE: 26.5" W x 48.78" L x 34.81" H
WEIGHT: 57.47 lbs

| MODEL# | CASTER | MAXIMUM CAPACITY |
|-----------|------------|------------------|
| PUCSD2645 | TPR 5" RIM | 500 lbs* |



PUCSD2645 model shown

*CAPACITY: 250 lbs per shelf.

OPTIONAL ACCESSORIES*



CUSTOMIZABLE BIN SYSTEM

SMALL BIN SIZE: 3.98" W x 5.63" L x 3.90" H
LARGE BIN SIZE: 4.38" W x 18.44" L x 3.90" H

| | |
|---------------|---------|
| MODEL# | PUCBIN6 |
|---------------|---------|



UTILITY BIN

SIZE: 12.78" W x 17.21" L x 10.63" H

| MODEL# | CAPACITY |
|---------------|-----------------|
| BIN17102 | 4 GALLONS |



WASTE BIN

SIZE: 12.78" W x 17.21" L x 22.13" H

| MODEL# | CAPACITY |
|---------------|-----------------|
| BIN17222 | 8 GALLONS |



CART SHIELD PANELS

| | |
|---------------|-----------|
| MODEL# | PUCCS1937 |
| MODEL# | PUCCS2645 |



*Optional accessories sold separately.